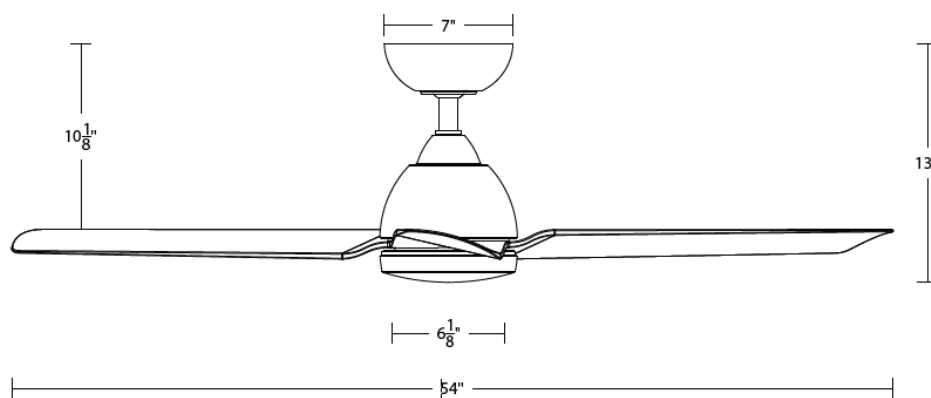


DOS**Distinctive
Outdoor Structures**

BE UNIQUE. BE DISTINCTIVE

SPECIFICATIONS:**MOCHA SMART OUTDOOR RATED FAN**

Model	Housing		Blade	
F-001	BA	Brushed Aluminum	TT	Titanium Silver
	MB	Matte Black	MB	Matte Black
	MW	White	MW	Matte White
	OB	Oil-Rubbed Bronze	BZ	Bronze

**TECHNICAL SPECIFICATIONS**

CHARACTERISTICS	
Construction	Aluminum, ABS
Blade	14° Pitch, 54" sweep
Downrod	3/4"W X 6"H included
Mounting Slope	Up to 32°
Wire	80"
Hanging Weight	13 lbs
Total Power	22.5 W
Standards	UL/cUL Wet Location listed, Title 24 JA8-2016 Compliant, Title 20 Compliant, Energy Star Rated
Motor Type	DC 125NS
Weighted-Average/High Airflow CFM	4633/6872
Weighted-Average/High Airflow Energy Use (W)	17/25
Estimated Yearly Energy Cost (\$)	\$ 4.42
Weighted-Average/High Efficiency (CFM/W)	241/275
Max RPM	161
Wi-Fi Range	Up to 150 ft*
Bluetooth Range	Up to 150 ft*

* Range results may vary based on application and surroundings