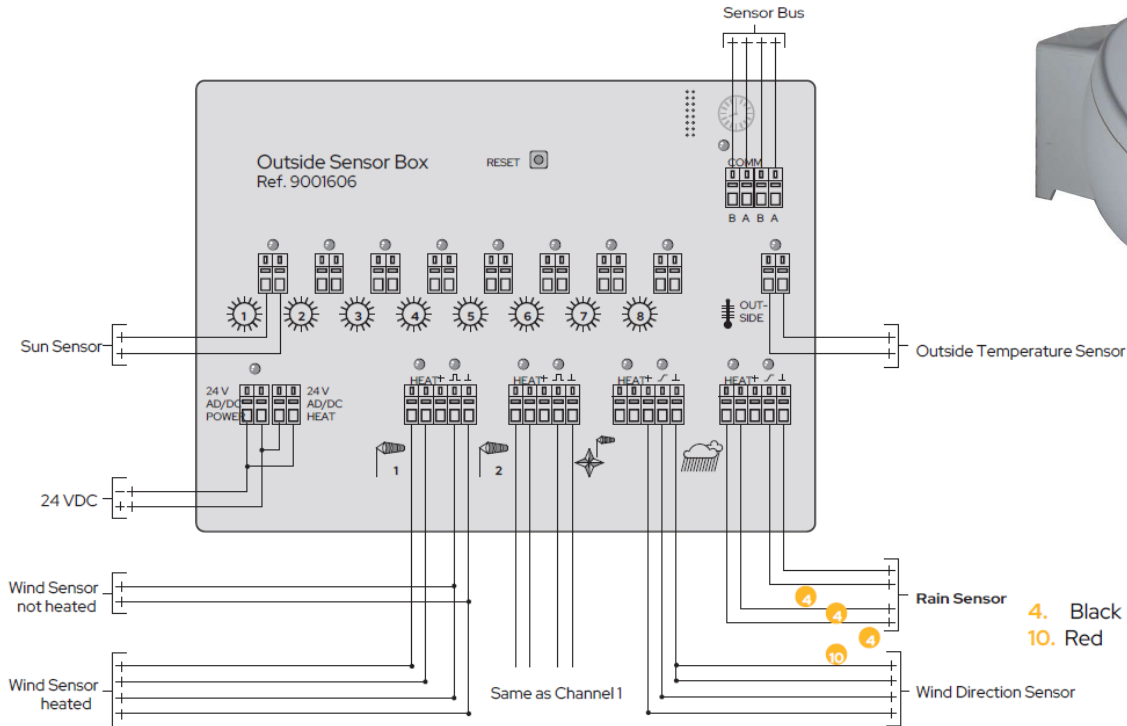


## ONDEIS WIRED RAIN SENSOR



## TECHNICAL SPECIFICATIONS

### CHARACTERISTICS

	24 VDC Ref. 9016344	230 VAC Ref. 9016345
Supply Voltage	24 VDC SELV	230 VAC
Stand-By Current	< 5 mA @ 24 VDC	< 1 mA @ 230 VAC
Stand-By Power	< 110 mW @ 24 VDC	< 50mW @ 230 VAC
Max. Power Peak (Heating)	< 4 W @ 24 VDC	< 4 W @ 230 VAC
Dry Contact	Min. 1 mA @ 30 VDC or 230 VAC Max. 2 A @ 30 VDC or 230 VAC	Min. 1 mA @ 30 VDC or 230 VAC Max. 2 A @ 30 VDC or 230 VAC
Operating Temperature	- 20° C to 60° C	- 20° C to 60° C
Relative Humidity	85%	85%
Wiring Recommendations	3 x 1.5mm	3 x 1.5mm
Material Of Housing	PC/ABS	PC/ABS
Dimensions (WxHxD)	115 x 100 x 85 mm IP 44	115 x 100 x 85 mm x IP 44
Degree Of Protection	II	II
Protection Class	400 g	400 g
Weight	www.somfy.com/ce	www.somfy.com/ce